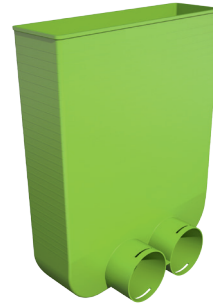


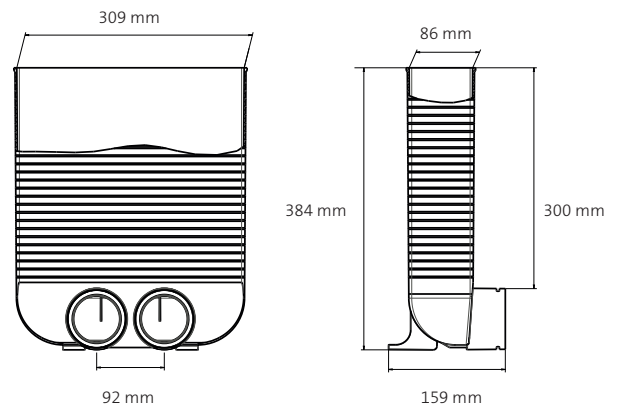
### Features & benefits

- For air supply
- For installation in walls and floors
- For circular AE34C ductwork (DN75/63 mm)
- Easy to shorten to the desired application dimension
- Anti-static and anti-bacterial properties
- Part of the TÜV SÜD certified Air Excellent system



### AE34C grill adapter

The grill adapter is originally designed as air supply only and for floor and wall installations. It can be cut to length with normal tools. Furthermore, the grill adapter can be equipped with an additional grill silencer for further sound elimination which is placed inside. The grill adapter is delivered with a dust-cap at the outlet end.



Air Supply		
Zeta [-]	1.13	2.47
Duct runs	1	2
Qv [m³/h]	ΔP [Pa]	ΔP [Pa]
10	1.0	1.0
20	2.1	1.1
30	4.6	2.5
40	8.2	4.5
50	12.7	7.0
60	18.3	10.0

